

EA2 - Audio Output Module with Amplifier

EA2 audio output module enables a duplex audio connection for ESIM384 alarm system.

Main features:

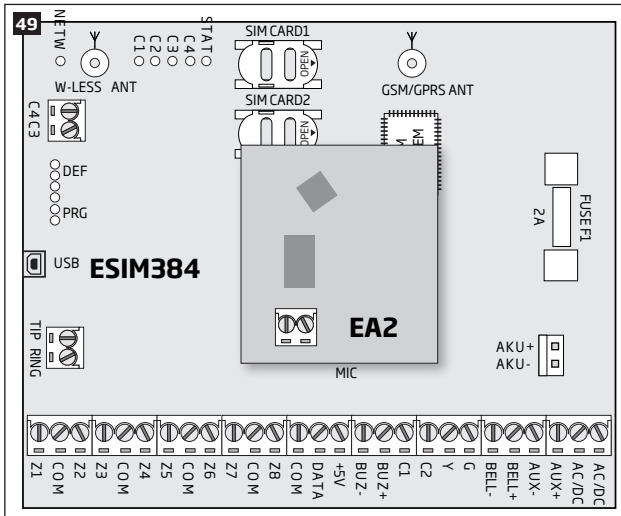
- Two-way voice conversation during a phone call;
- Possibility to connect a speaker.

Technical Specifications

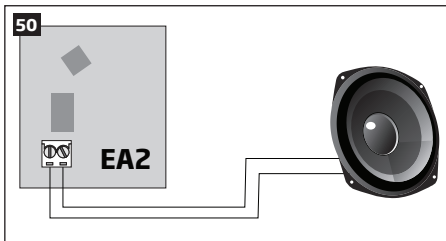
- 1W 8Ω audio amplifier
- Dimensions: 41x40x24mm (1.61x1.57x0.95in)

Installation

1. Disconnect ESIM384 alarm system main power supply and backup battery.
2. Insert EA2 pins into appropriate ESIM384 alarm system slots.



3. Connect a speaker to EA2 **Speaker** terminals.



4. Power up ESIM384 alarm system.
5. EA2 is ready for use with ESIM384 alarm system.