

EA1 - Audio Output Module

EA1 audio output module enables a duplex audio connection for ESIM384 alarm system.

Main features:

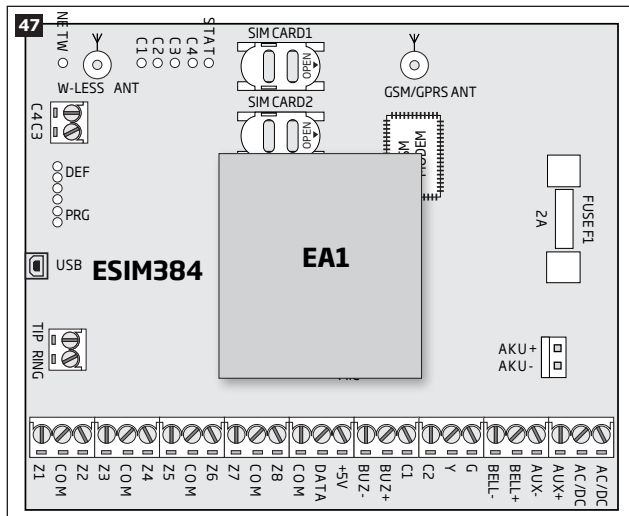
- Two-way voice conversation during a phone call;
- Possibility to connect headphones or desktop speakers.

Technical Specifications

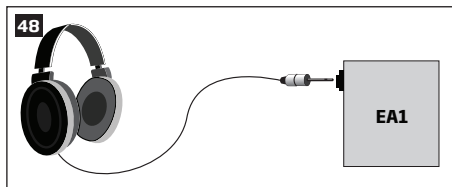
- 3,5 mm female jack
- Dimensions: 35x33x12mm (1.38x1.30x0.47in)

Installation

1. Disconnect ESIM384 alarm system main power supply and backup battery.
2. Insert EA1 pins into appropriate ESIM384 alarm system slots.



3. Connect headphones or desktop speakers to EA1 3,5 mm female jack.



4. Power up ESIM384 alarm system.
5. EA1 is ready for use with ESIM384 alarm system.