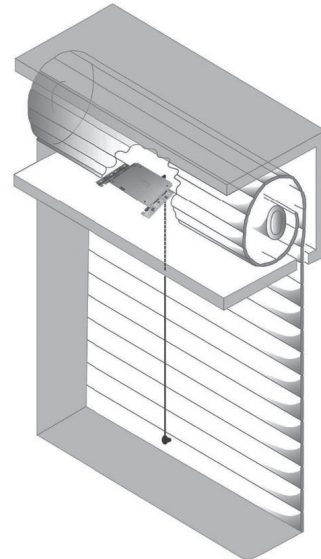


MOUNTING AND USE

It can be fastened directly to the enclosure of roller shutter (see example in pic. 2) using screws, allowing the sensor's thread (secured to the edge of the sliding mechanism) to slide freely and therefore to be perfectly positioned. Thus remember to wire the device to magnetic sensor first (See pic. 3). When the system is armed, the alarm can be caused even when the roller shutter is not completely down since the sensitive mechanism of ERS1 detects status changes.

TECHNICAL SPECIFICATIONS

Definition	Description
Detection	Microswitch with contacts activated by sliding mechanism
ERS1 Pulse	4 / 6 ms
Connection	With two terminal blocks
Material	ABS
Wire length	3 m (approx.)
Dimensions	90 x 85 x 15 mm
Operating Temperature	-20 °C ÷ +55 °C
Compatible with devices	EWD3 (FW version v1.6 and up).



ERS1

ROLLER SHUTTER SENSOR

USER MANUAL V1.0**RELIABLE SOLUTION - WINDOWS' AND DOORS' ROLLER BLINDS PROTECTION FROM INTRUSION.****CONTENTS OF PACK:**

- ERS1 roller shutter sensor - 1 unit

GENERAL OPERATIONAL DESCRIPTION

Windows' and doors' roller-shutter sensor ERS1 with precision and high sliding mechanism, which helps to eliminate false alarms.

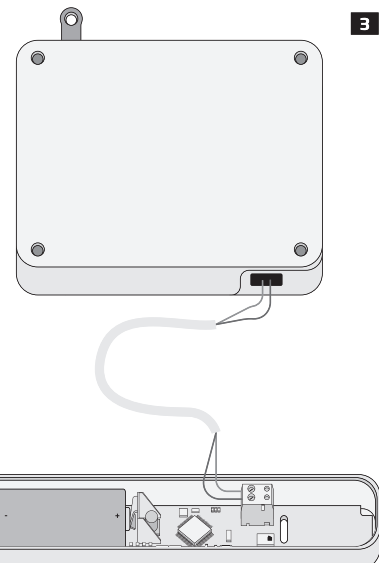
Terminals of ERS1 have to be connected to EWD3 zone terminals, with "Tapparella Sensor" mode enabled. "Tapparella Sensor" mode which allows to get the required sensitivity level (i.e. a predetermined preferred value - number of pulses), needed for EWD3 zone violation detection, eliminating false alarms.

To cause EWD3 zone violation (while the system is armed), ERS1 sensor's output has to be triggered a set number of times - pulses per time period. Attempts are generated when anyone tries to physically open, close or damage windows' and doors' roller blinds. The default pulse value is 5. In order to set everything correctly, user must complete these steps: 1) launch Eldes Utility software (**newest version!**); 2) go to Peripheral devices section; 3) click on EWD3 settings icon; 4) enter EWD3 settings menu, choose "Tapparella Sensor" in Zone Operating mode option; 5) enter the preferred "Tapparella Counter" value and save configuration settings. You'll find a visual example of the settings below (see pic. 1):

**CONNECTION**

In order to make it work properly, ERS1 device's terminals must be wired to magnetic door sensor's Z and COM terminals, which will allow the sensor mechanism to detect any motion or violation. See pic. 3:

ATTENTION: For correct operation, it is recommended to connect **ONLY 1 ERS1 sensor to a single EWD3!**



Copyright © "ELDES, UAB", 2018. All rights reserved.

It is strictly forbidden to copy and distribute the information contained in this document or to pass thereof to a third party without an a priori written authorization obtained from ELDES, UAB. ELDES, UAB reserves the right to update or modify this document and/or related products without an a priori warning. www.eldesalarms.com