



Art. EWC1/EWC1W

**UNIVERSAL
WIRELESS DOUBLE TECHNOLOGY
OUTDOOR DETECTOR**



USER MANUAL

Rev.1T10MM



Thanks for having purchased our detector Art.9456/57 U the only one universal low consumption dual technology curtain detector for outdoor use.

You can connect to 9456/57 U, any radio transmitter are placed in the slot, making it compatible with any existing wireless system

Thanks to its low power consumption, can 'be powered by the same battery of the transmitter you wish to use, or, alternatively, with a battery 3.6 Volts Lithium.

Is an outdoor miniaturized double technology detector, particularly suitable for being installed on shutters. Its characteristics make it suitable for any external place, and wherever it is necessary to protect some specific areas. Art. 9456/57 U , in fact, creates a very narrow curtain barrier (about 7.5°) and it has an adjustable covered area up to 12m. It is realized with atmospheric resistant agents material and it is protected from a watertight cover.

Moreover its electronic card is covered with resin capable to assure its correct working in every atmospheric condition. Accurate planning and digital microwave signals analysis make Art. 9456/57 U a very stable sensor.

TEST MODE

Open the lid, bring the Dip4 ON, close the lid. By now, the LEDs are always active and the sensor does not inhibit more. Adjust the flow rate of the infrared and / or microwave. Tests completed open the lid, bring the Dip4 to OFF and close the lid. For further 3 minutes, the sensor is still in test .. After this time, the sensor enters low-power mode.

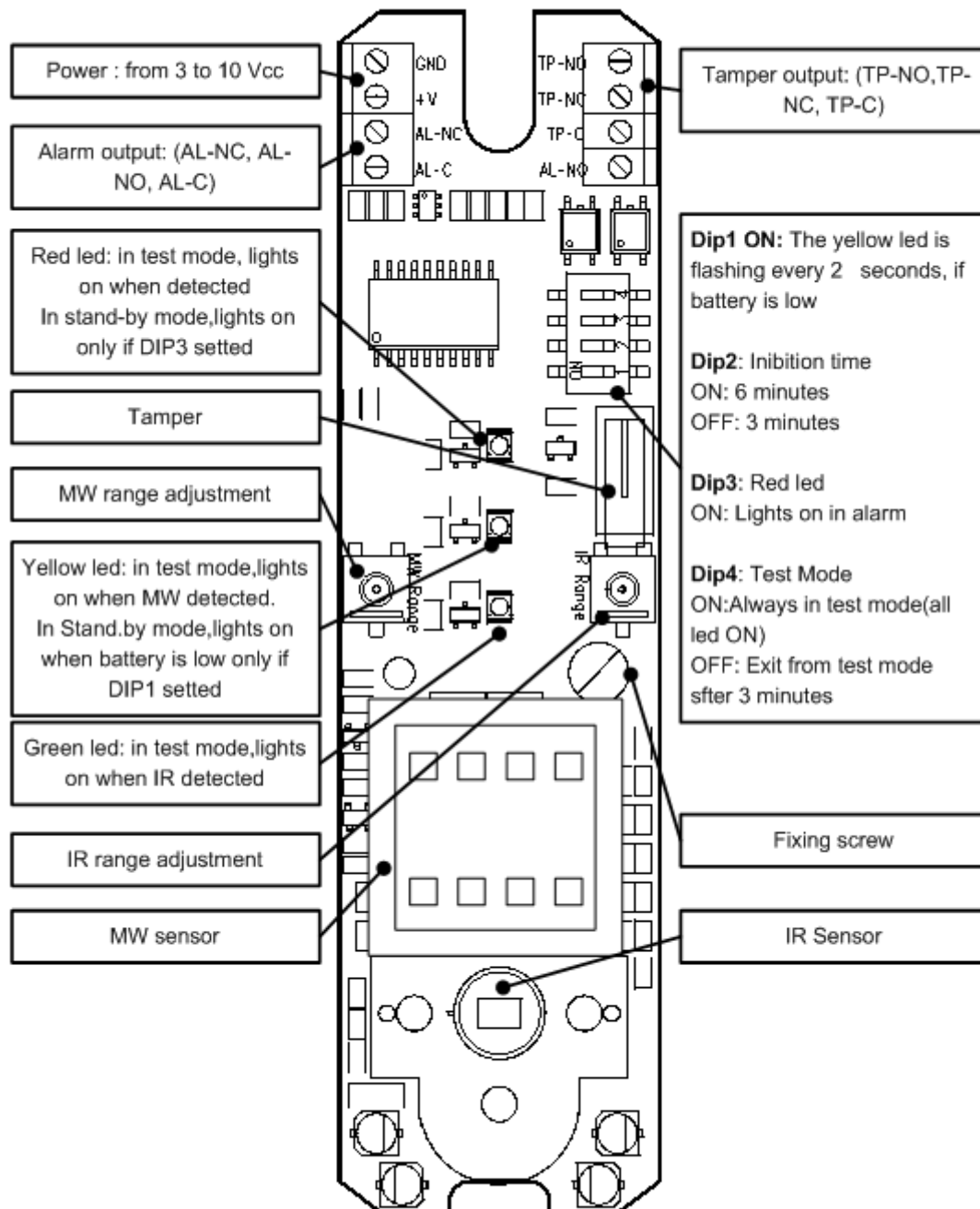
LOW BATTERY

In the case in which the sensor is not powered by the battery of the transmitter, but by the internal battery (supplied separately) bring the dip1 ON. When the battery voltage drops below the preset threshold, the yellow LED flashes for a each (approximately) 2 seconds.

DISPLAY INTRUSION

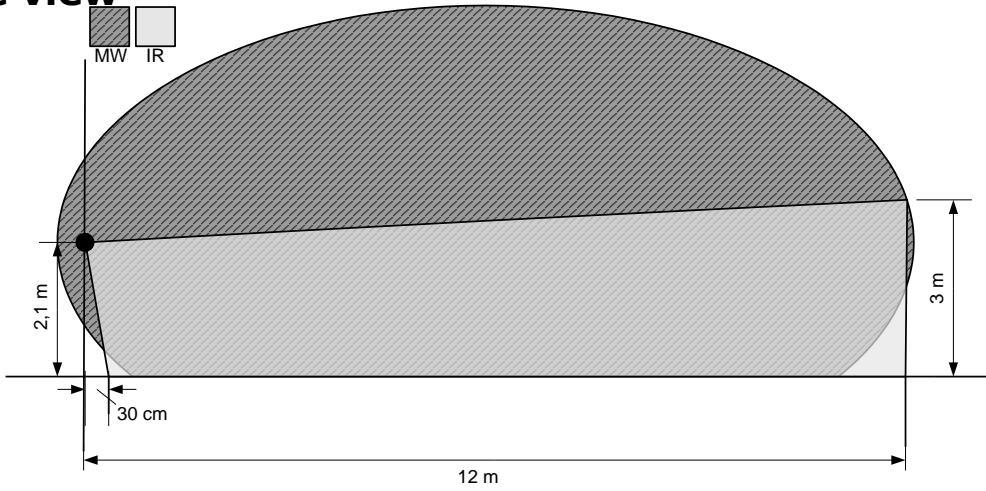
Bringing DIP3 to ON, the sensor activates the red LED for a few seconds, whenever it detects an intrusion. The signaling affects power consumption by decreasing the battery life .. Please note that after each detection, the sensor remains inactive for at least 3-6 minutes (see dip2).

DIAGRAM

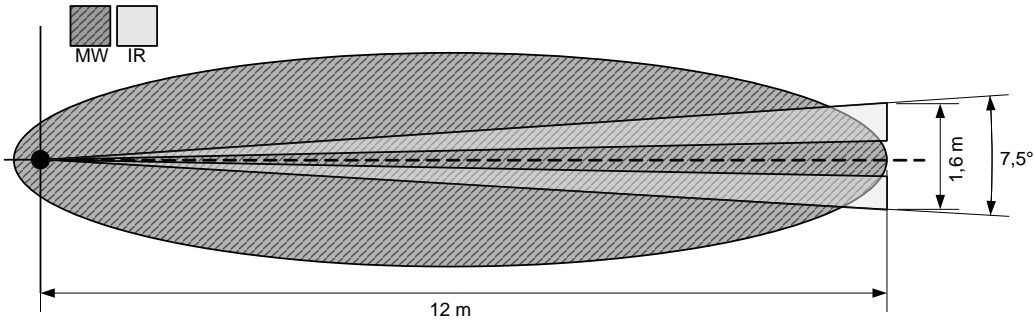


DECTION CHART

Side view

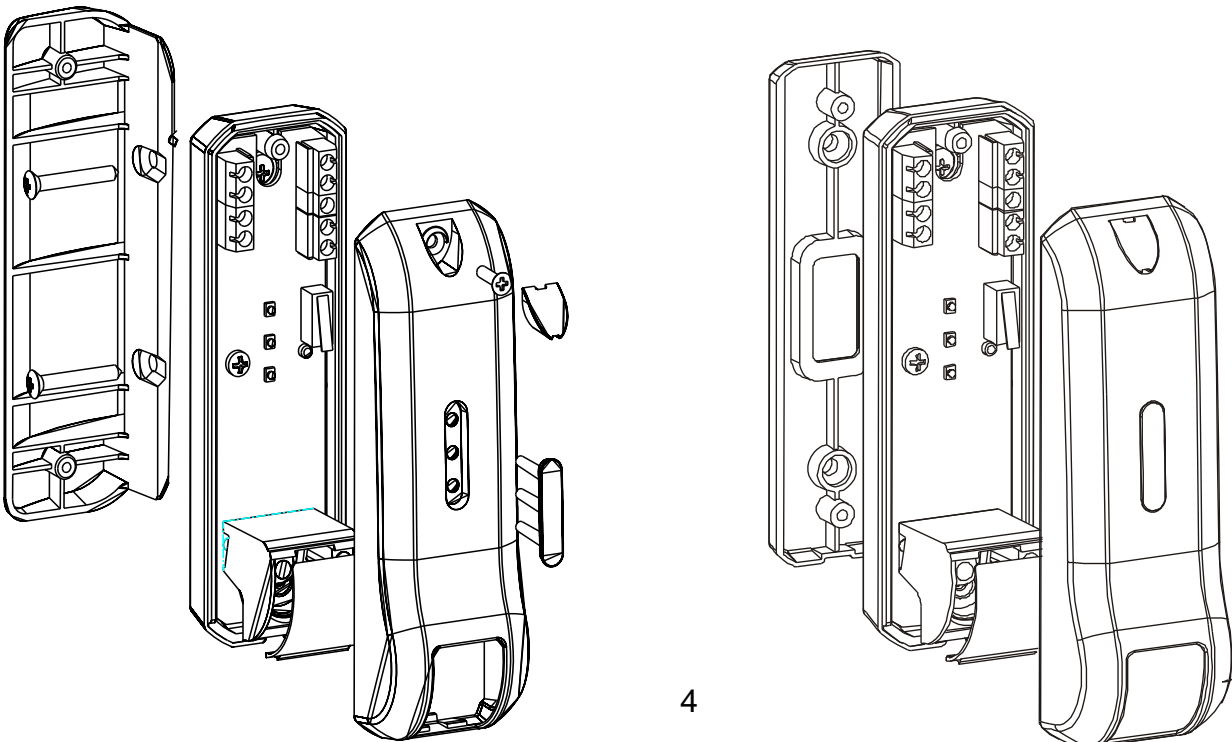


Top view

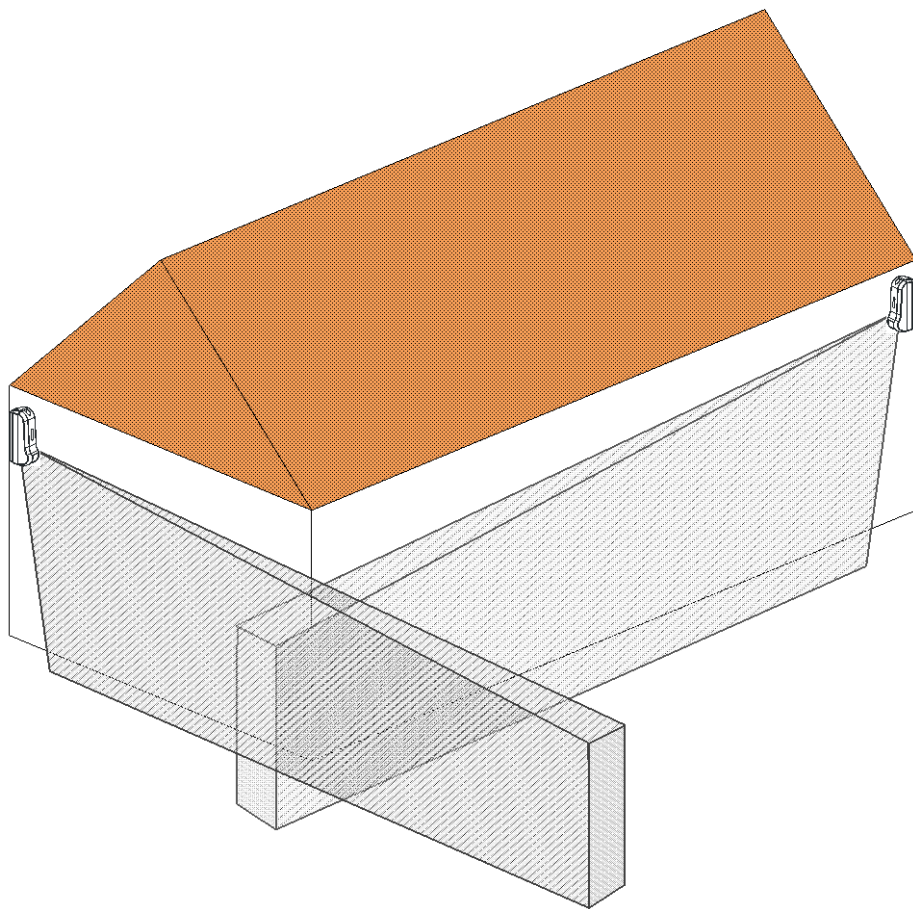


MOUNTING

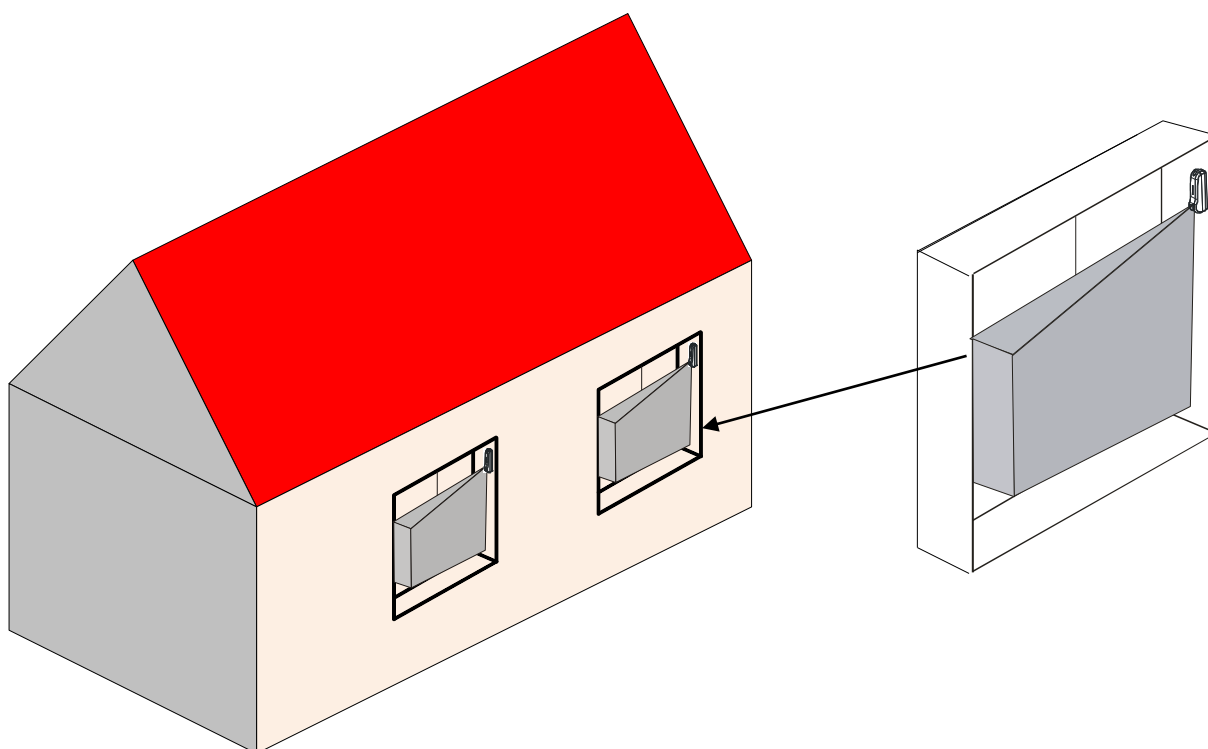
Use a screw driver to remove hidden screw fixing cover (in upside detector)



General installation guide



Installation example of wall protection. Install at about 2,1m. It can be installed also in upper floors at about 2,1m referring to an horizontal ground larger than 1,5m (for example balcony, ledge). Be sure no obstacles prevent its detection (gutter pipe, shutter)



Example of installation on shutters . Install on shutter at a 2,1 m height from ground.

TECHNICAL CHARACTERISTICS

<i>Parameter</i>	<i>Condition</i>	<i>Value</i>
<i>Power supply standard</i>		3-10V
<i>Max power supply</i>		13,2 V
<i>Medium consumption</i>		8 uA
<i>Max consumption</i>	6 V sensor in allarm	52 mA
<i>Protection power supp. inversion</i>		Yes
<i>Inhibition time between alarm</i>	Selectable by dip-switch	3-6 minuti
<i>Range IR max</i>	Temperature 25 °C	12 m
<i>Range MW max</i>		12 m
<i>Low battery reporting</i>	Selectable by dip-switch	Yes
<i>Range Test</i>	Selectable by dip-switch	Yes
<i>Alarm Output</i>		C-NC-NA
<i>Tamper Output</i>		C-NC-NA
<i>Setting IR range</i>		Yes
<i>Setting uW range</i>		Yes
<i>Frequency MW</i>		24,125 GHz
<i>Vertical MW</i>		80°
<i>Orizzontal MW</i>		32°
<i>Vertical IR</i>		90°
<i>Orizzontal IR</i>		7,5°
<i>Warming time</i>		60 s
<i>Working temperature</i>		-20/+60 °C
<i>Wheight</i>		131 g
<i>Dimensions</i>		H 129, L 40, P 48 mm